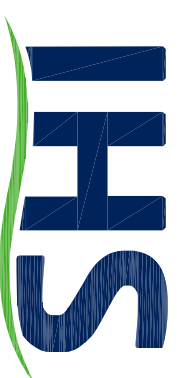
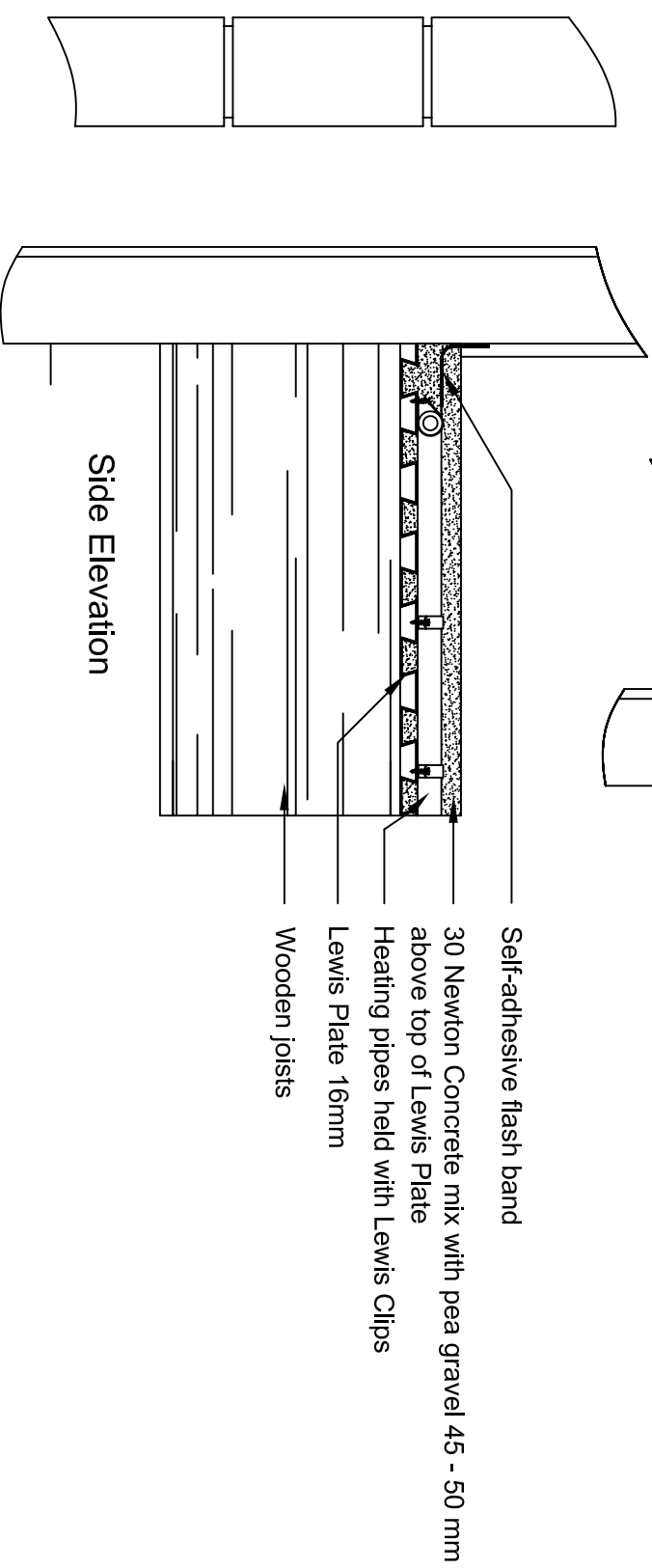
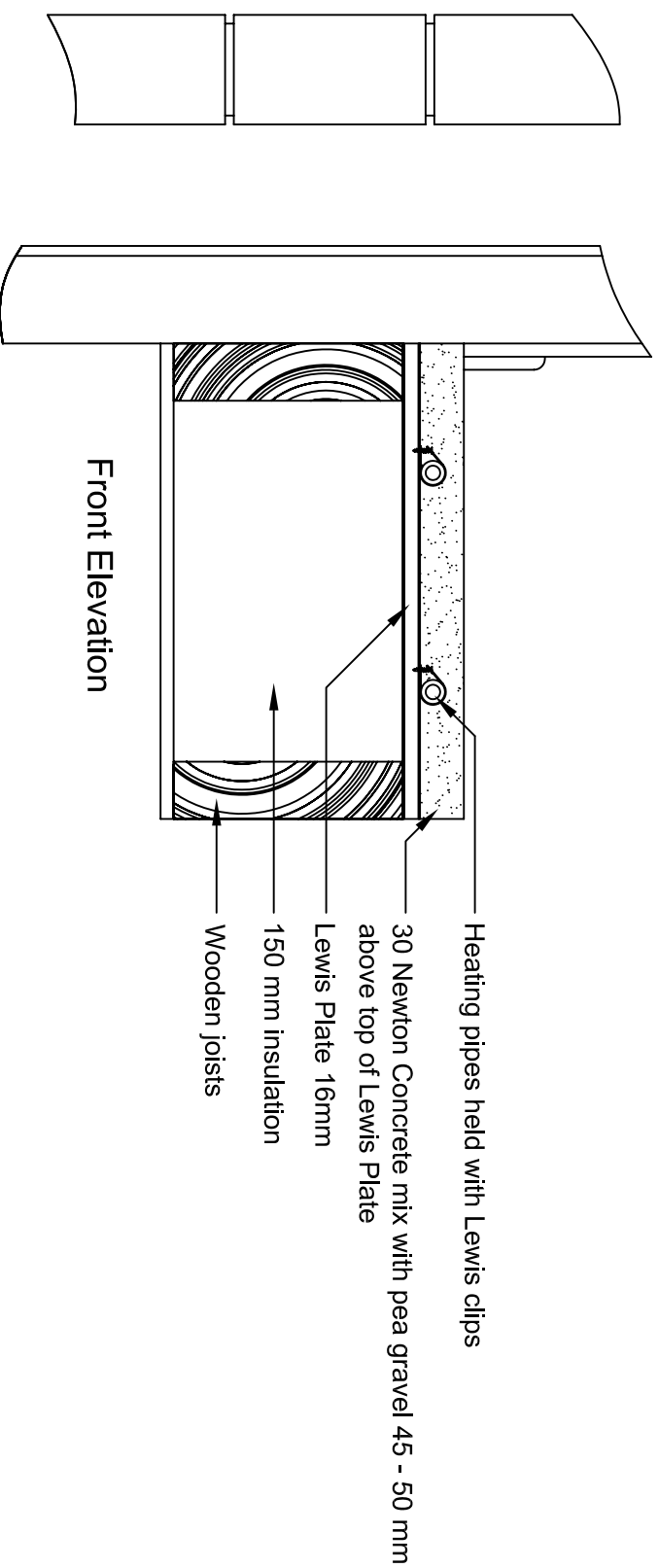


24F

Timber Joisted Floor Construction with Lewis Plates



sustainable energy solutions

IHS Design Centre
Morefield
Ullapool
IV26 2SR
t: 01854 613161
e: design@ihsenenergy.co.uk

This drawing is the property of IHS and may not be reproduced or distributed without prior written authorisation from IHS.